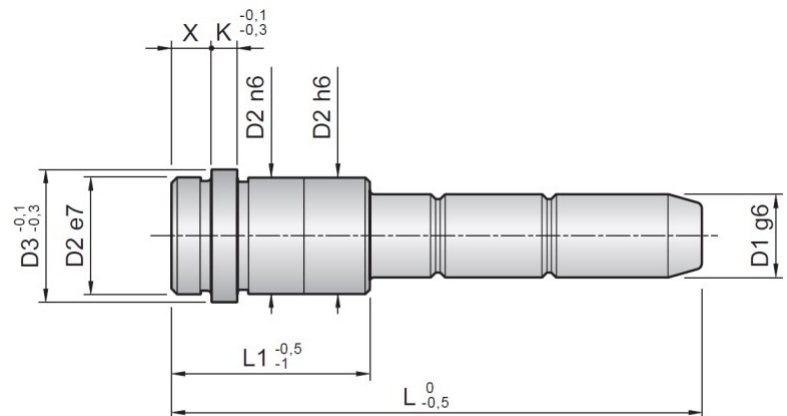


Vezetőoszlop

Cikkszám: R-C1S
Alapanyag: 1.7131 Edzett acél
Keménység: 61-63 HRC



Cikkszám	D1	D2	D3	K	X	L1	L
-C1S 16x36x80	16	22	26	5	10	36	80
R-C1S 16x36x90	16	22	26	5	10	36	90
R-C1S 16x36x110	16	22	26	5	10	36	110
R-C1S 16x36x130	16	22	26	5	10	36	130
R-C1S 16x46x90	16	22	26	5	10	46	90
R-C1S 16x46x110	16	22	26	5	10	46	110
R-C1S 16x46x130	16	22	26	5	10	46	130
R-C1S 16x46x150	16	22	26	5	10	46	150
R-C1S 16x56x110	16	22	26	5	10	56	110
R-C1S 16x56x130	16	22	26	5	10	56	130
R-C1S 16x56x150	16	22	26	5	10	56	150
R-C1S 16x56x170	16	22	26	5	10	56	170
R-C1S 16x66x110	16	22	26	5	10	66	110
R-C1S 16x66x130	16	22	26	5	10	66	130
R-C1S 16x66x150	16	22	26	5	10	66	150
R-C1S 16x66x170	16	22	26	5	10	66	170
R-C1S 16x76x130	16	22	26	5	10	76	130
R-C1S 16x76x150	16	22	26	5	10	76	150
R-C1S 16x76x170	16	22	26	5	10	76	170
R-C1S 16x76x190	16	22	26	5	10	76	190
R-C1S 16x86x150	16	22	26	5	10	86	150
R-C1S 16x86x170	16	22	26	5	10	86	170
R-C1S 16x86x190	16	22	26	5	10	86	190
R-C1S 20/28x46x80	20	28	32	6	10	46	80
R-C1S 20/28x46x90	20	28	32	6	10	46	90
R-C1S 20/28x46x110	20	28	32	6	10	46	110
R-C1S 20/28x46x130	20	28	32	6	10	46	130
R-C1S 20/28x46x150	20	28	32	6	10	46	150
R-C1S 20/28x56x90	20	28	32	6	10	56	90
R-C1S 20/28x56x110	20	28	32	6	10	56	110
R-C1S 20/28x56x130	20	28	32	6	10	56	130
R-C1S 20/28x56x150	20	28	32	6	10	56	150
R-C1S 20/28x56x170	20	28	32	6	10	56	170
R-C1S 20/28x66x110	20	28	32	6	10	66	110

Cikkszám	D1	D2	D3	K	X	L1	L
R-C1S 20/28x66x130	20	28	32	6	10	66	130
R-C1S 20/28x66x150	20	28	32	6	10	66	150
R-C1S 20/28x66x170	20	28	32	6	10	66	170
R-C1S 20/28x76x130	20	28	32	6	10	76	130
R-C1S 20/28x76x150	20	28	32	6	10	76	150
R-C1S 20/28x76x170	20	28	32	6	10	76	170
R-C1S 20/28x86x150	20	28	32	6	10	86	150
R-C1S 20/28x86x170	20	28	32	6	10	86	170
R-C1S 20/28x86x190	20	28	32	6	10	86	190
R-C1S 20/28x106x150	20	28	32	6	10	106	150
R-C1S 20/28x106x170	20	28	32	6	10	106	170
R-C1S 20/28x106x190	20	28	32	6	10	106	190
R-C1S 20/28x106x210	20	28	32	6	10	106	210
R-C1S 20/30x46x80	20	30	34	6	10	46	80
R-C1S 20/30x46x90	20	30	34	6	10	46	90
R-C1S 20/30x46x110	20	30	34	6	10	46	110
R-C1S 20/30x46x130	20	30	34	6	10	46	130
R-C1S 20/30x46x150	20	30	34	6	10	46	150
R-C1S 20/30x56x90	20	30	34	6	10	56	90
R-C1S 20/30x56x110	20	30	34	6	10	56	110
R-C1S 20/30x56x130	20	30	34	6	10	56	130
R-C1S 20/30x56x150	20	30	34	6	10	56	150
R-C1S 20/30x56x170	20	30	34	6	10	56	170
R-C1S 20/30x66x110	20	30	34	6	10	66	110
R-C1S 20/30x66x130	20	30	34	6	10	66	130
R-C1S 20/30x66x150	20	30	34	6	10	66	150
R-C1S 20/30x66x170	20	30	34	6	10	66	170
R-C1S 20/30x76x130	20	30	34	6	10	76	130
R-C1S 20/30x76x150	20	30	34	6	10	76	150
R-C1S 20/30x76x170	20	30	34	6	10	76	170
R-C1S 20/30x86x150	20	30	34	6	10	86	150
R-C1S 20/30x86x170	20	30	34	6	10	86	170
R-C1S 20/30x86x190	20	30	34	6	10	86	190
R-C1S 20/30x106x150	20	30	34	6	10	106	150

Cikkszám	D1	D2	D3	K	X	L1	L
R-C1S 20/30x106x170	20	30	34	6	10	106	170
R-C1S 20/30x106x190	20	30	34	6	10	106	190
R-C1S 20/30x106x210	20	30	34	6	10	106	210
R-C1S 25/34x46x90	25	34	38	7	10	46	90
R-C1S 25/34x46x110	25	34	38	7	10	46	110
R-C1S 25/34x46x130	25	34	38	7	10	46	130
R-C1S 25/34x46x150	25	34	38	7	10	46	150
R-C1S 25/34x56x90	25	34	38	7	10	56	90
R-C1S 25/34x56x110	25	34	38	7	10	56	110
R-C1S 25/34x56x130	25	34	38	7	10	56	130
R-C1S 25/34x56x150	25	34	38	7	10	56	150
R-C1S 25/34x56x170	25	34	38	7	10	56	170
R-C1S 25/34x66x110	25	34	38	7	10	66	110
R-C1S 25/34x66x130	25	34	38	7	10	66	130
R-C1S 25/34x66x150	25	34	38	7	10	66	150
R-C1S 25/34x66x170	25	34	38	7	10	66	170
R-C1S 25/34x76x130	25	34	38	7	10	76	130
R-C1S 25/34x76x150	25	34	38	7	10	76	150
R-C1S 25/34x76x170	25	34	38	7	10	76	170
R-C1S 25/34x76x190	25	34	38	7	10	76	190
R-C1S 25/34x86x150	25	34	38	7	10	86	150
R-C1S 25/34x86x170	25	34	38	7	10	86	170
R-C1S 25/34x86x190	25	34	38	7	10	86	190
R-C1S 25/34x106x150	25	34	38	7	10	106	150
R-C1S 25/34x106x170	25	34	38	7	10	106	170
R-C1S 25/34x106x190	25	34	38	7	10	106	190
R-C1S 25/34x106x210	25	34	38	7	10	106	210
R-C1S 25/36x46x90	25	36	40	7	10	46	90
R-C1S 25/36x46x110	25	36	40	7	10	46	110
R-C1S 25/36x46x130	25	36	40	7	10	46	130
R-C1S 25/36x46x150	25	36	40	7	10	46	150
R-C1S 25/36x56x90	25	36	40	7	10	56	90
R-C1S 25/36x56x110	25	36	40	7	10	56	110
R-C1S 25/36x56x130	25	36	40	7	10	56	130
R-C1S 25/36x56x150	25	36	40	7	10	56	150
R-C1S 25/36x56x170	25	36	40	7	10	56	170
R-C1S 25/36x66x110	25	36	40	7	10	66	110
R-C1S 25/36x66x130	25	36	40	7	10	66	130
R-C1S 25/36x66x150	25	36	40	7	10	66	150
R-C1S 25/36x66x170	25	36	40	7	10	66	170
R-C1S 25/36x76x130	25	36	40	7	10	76	130
R-C1S 25/36x76x150	25	36	40	7	10	76	150
R-C1S 25/36x76x170	25	36	40	7	10	76	170
R-C1S 25/36x76x190	25	36	40	7	10	76	190
R-C1S 25/36x86x150	25	36	40	7	10	86	150

Cikkszám	D1	D2	D3	K	X	L1	L
R-C1S 25/36x86x170	25	36	40	7	10	86	170
R-C1S 25/36x86x190	25	36	40	7	10	86	190
R-C1S 25/36x106x150	25	36	40	7	10	106	150
R-C1S 25/36x106x170	25	36	40	7	10	106	170
R-C1S 25/36x106x190	25	36	40	7	10	106	190
R-C1S 25/36x106x210	25	36	40	7	10	106	210
R-C1S 32x46x110	32	40	45	7	10	46	110
R-C1S 32x46x130	32	40	45	7	10	46	130
R-C1S 32x46x150	32	40	45	7	10	46	150
R-C1S 32x56x110	32	40	45	7	10	56	110
R-C1S 32x56x130	32	40	45	7	10	56	130
R-C1S 32x56x150	32	40	45	7	10	56	150
R-C1S 32x56x170	32	40	45	7	10	56	170
R-C1S 32x66x110	32	40	45	7	10	66	110
R-C1S 32x66x130	32	40	45	7	10	66	130
R-C1S 32x66x150	32	40	45	7	10	66	150
R-C1S 32x66x170	32	40	45	7	10	66	170
R-C1S 32x66x190	32	40	45	7	10	66	190
R-C1S 32x76x130	32	40	45	7	10	76	130
R-C1S 32x76x150	32	40	45	7	10	76	150
R-C1S 32x76x170	32	40	45	7	10	76	170
R-C1S 32x76x190	32	40	45	7	10	76	190
R-C1S 32x86x150	32	40	45	7	10	86	150
R-C1S 32x86x170	32	40	45	7	10	86	170
R-C1S 32x86x190	32	40	45	7	10	86	190
R-C1S 32x106x170	32	40	45	7	10	106	170
R-C1S 32x106x190	32	40	45	7	10	106	190
R-C1S 32x106x210	32	40	45	7	10	106	210
R-C1S 40x56x130	40	48	52	8	10	56	130
R-C1S 40x56x150	40	48	52	8	10	56	150
R-C1S 40x66x130	40	48	52	8	10	66	130
R-C1S 40x66x150	40	48	52	8	10	66	150
R-C1S 40x66x170	40	48	52	8	10	66	170
R-C1S 40x76x150	40	48	52	8	10	76	150
R-C1S 40x76x170	40	48	52	8	10	76	170
R-C1S 40x76x190	40	48	52	8	10	76	190
R-C1S 40x76x210	40	48	52	8	10	76	210
R-C1S 40x86x150	40	48	52	8	10	86	150
R-C1S 40x86x170	40	48	52	8	10	86	170
R-C1S 40x86x190	40	48	52	8	10	86	190
R-C1S 40x86x210	40	48	52	8	10	86	210
R-C1S 40x106x170	40	48	52	8	10	106	170
R-C1S 40x106x190	40	48	52	8	10	106	190
R-C1S 40x106x210	40	48	52	8	10	106	210