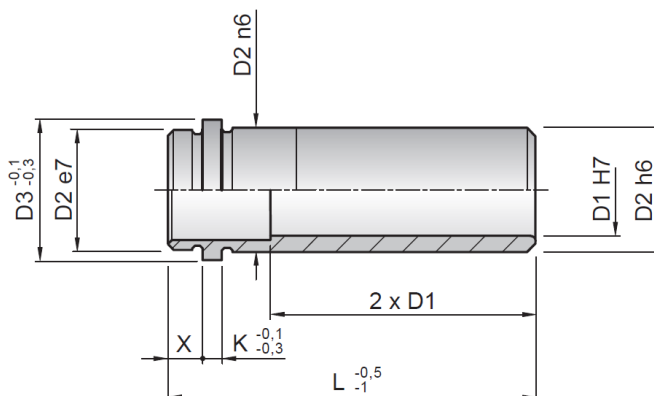


Vezetőpersely

Cikkszám: R-B1S

Alapanyag: 1.7131 Edzett acél

Keménység: 61÷63 HRC



Cikkszám	D1	D2	D3	K	X	L
R-B1S 16x26	16	22	26	5	10	26
R-B1S 16x36	16	22	26	5	10	36
R-B1S 16x46	16	22	26	5	10	46
R-B1S 16x56	16	22	26	5	10	56
R-B1S 16x66	16	22	26	5	10	66
R-B1S 16x76	16	22	26	5	10	76
R-B1S 16x86	16	22	26	5	10	86
R-B1S 16x96	16	22	26	5	10	96
R-B1S 16x106	16	22	26	5	10	106
R-B1S 20/28x26	20	28	32	6	10	26
R-B1S 20/28x36	20	28	32	6	10	36
R-B1S 20/28x46	20	28	32	6	10	46
R-B1S 20/28x56	20	28	32	6	10	56
R-B1S 20/28x66	20	28	32	6	10	66
R-B1S 20/28x76	20	28	32	6	10	76
R-B1S 20/28x86	20	28	32	6	10	86
R-B1S 20/28x96	20	28	32	6	10	96
R-B1S 20/28x106	20	28	32	6	10	106
R-B1S 20/30x26	20	30	34	6	10	26
R-B1S 20/30x36	20	30	34	6	10	36
R-B1S 20/30x46	20	30	34	6	10	46
R-B1S 20/30x56	20	30	34	6	10	56
R-B1S 20/30x66	20	30	34	6	10	66
R-B1S 20/30x76	20	30	34	6	10	76
R-B1S 20/30x86	20	30	34	6	10	86
R-B1S 20/30x96	20	30	34	6	10	96
R-B1S 20/30x106	20	30	34	6	10	106

Cikkszám	D1	D2	D3	K	X	L
R-B1S 25/34x36	25	34	38	7	10	36
R-B1S 25/34x46	25	34	38	7	10	46
R-B1S 25/34x56	25	34	38	7	10	56
R-B1S 25/34x66	25	34	38	7	10	66
R-B1S 25/34x76	25	34	38	7	10	76
R-B1S 25/34x86	25	34	38	7	10	86
R-B1S 25/34x96	25	34	38	7	10	96
R-B1S 25/34x106	25	34	38	7	10	106
R-B1S 25/36x36	25	36	40	7	10	36
R-B1S 25/36x46	25	36	40	7	10	46
R-B1S 25/36x56	25	36	40	7	10	56
R-B1S 25/36x66	25	36	40	7	10	66
R-B1S 25/36x76	25	36	40	7	10	76
R-B1S 25/36x86	25	36	40	7	10	86
R-B1S 25/36x96	25	36	40	7	10	96
R-B1S 25/36x106	25	36	40	7	10	106
R-B1S 32x46	32	40	45	7	10	46
R-B1S 32x56	32	40	45	7	10	56
R-B1S 32x66	32	40	45	7	10	66
R-B1S 32x76	32	40	45	7	10	76
R-B1S 32x86	32	40	45	7	10	86
R-B1S 32x96	32	40	45	7	10	96
R-B1S 32x106	32	40	45	7	10	106
R-B1S 32x126	32	40	45	7	10	126
R-B1S 40x56	40	48	52	8	10	56
R-B1S 40x66	40	48	52	8	10	66
R-B1S 40x76	40	48	52	8	10	76
R-B1S 40x86	40	48	52	8	10	86
R-B1S 40x96	40	48	52	8	10	96
R-B1S 40x106	40	48	52	8	10	106
R-B1S 40x126	40	48	52	8	10	126