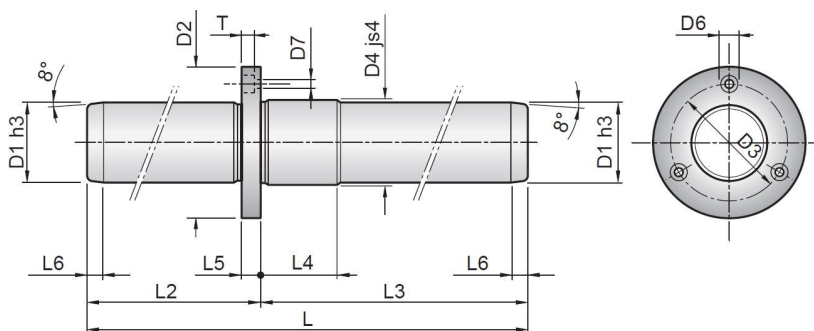


Vezetőoszlop

Cikkszám: R-CEAS
Alapanyag: 1.7131 Edzett acél
Keménység: 61-63 HRC



Cikkszám	D1	D2	D4	L2	L	L3	L4	L5
R-CEAS 19x70x90	19	42	22	70	160	90	20	8
R-CEAS 19x70x100	19	42	22	70	170	100	20	8
R-CEAS 19x80x100	19	42	22	80	180	100	20	8
R-CEAS 19x80x110	19	42	22	80	190	110	20	8
R-CEAS 19x90x110	19	42	22	90	200	110	20	8
R-CEAS 19x100x110	19	42	22	100	210	110	20	8
R-CEAS 25x80x100	25	48	26	80	180	100	22	8
R-CEAS 25x80x110	25	48	26	80	190	110	22	8
R-CEAS 25x90x110	25	48	26	90	200	110	22	8
R-CEAS 25x90x120	25	48	26	90	210	120	22	8
R-CEAS 25x100x120	25	48	26	100	220	120	22	8
R-CEAS 25x110x120	25	48	26	110	230	120	22	8
R-CEAS 32x80x100	32	60	34	80	180	100	25	10
R-CEAS 32x80x110	32	60	34	80	190	110	25	10
R-CEAS 32x90x110	32	60	34	90	200	110	25	10
R-CEAS 32x90x120	32	60	34	90	210	120	25	10
R-CEAS 32x100x120	32	60	34	100	220	120	25	10
R-CEAS 32x100x130	32	60	34	100	230	130	25	10
R-CEAS 32x110x130	32	60	34	110	240	130	25	10
R-CEAS 32x110x140	32	60	34	110	250	140	25	10
R-CEAS 40x90x110	40	70	42	90	200	110	27	12
R-CEAS 40x90x120	40	70	42	90	210	120	27	12
R-CEAS 40x100x120	40	70	42	100	220	120	27	12
R-CEAS 40x100x130	40	70	42	100	230	130	27	12
R-CEAS 40x110x130	40	70	42	110	240	130	27	12
R-CEAS 40x110x140	40	70	42	110	250	140	27	12
R-CEAS 40x120x140	40	70	42	120	260	140	27	12