

# Impactor Presses

from 600 to 6,000 kg

## Impactor Presses

**PM6 - PM30 - PM60 - PM6P - PM30P - PM60P**

At the time of ISO standardization, identification and traceability of parts, EMG presses offers a range of impactor presses and numbering, riveting and crimping accessories combining performance, precision and security.

This range is found in numerous workshops. The power delivered is constant and regular, and remains exact irrespective of the force applied on the lever.

These presses have an adjustable impact force and a mechanism which prevents the double impact return effect.



### POSSIBILITY OF MARKING

Indicative values (number of characters depending on the height and material)

PRESSES	600 KG		3 000 KG		6 000 KG	
	ALUMINIUM	IRON	ALUMINIUM	IRON	ALUMINIUM	IRON
1 mm	14	7	28	15	75	36
2 mm	12	5	24	12	65	26
3 mm	8	3	20	9	56	17
4 mm	6	2	16	8	50	15
5 mm	5	1	14	6	46	12
6 mm	-	-	6	3	40	8
10 mm	-	-	3	1	20	5

# Manual Impactor Presses

from 600 to 6 000 kg



PM6



PM30

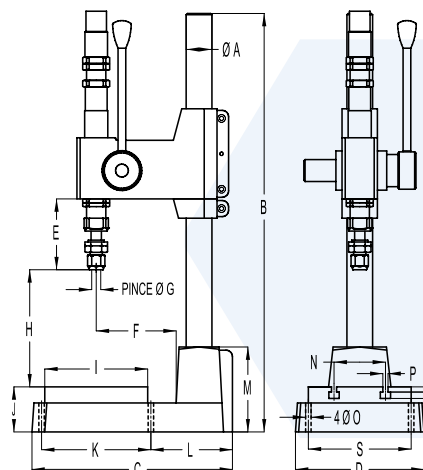


PM60

	PM6	PM30	PM60
Power (kg)	600	3 000	6 000
Max. downstroke (mm)	25	40	40
Impact stroke (mm)	0.2	0.2	0.2
Adjustable clear height (mm)	30 ▶ 150	40 ▶ 250	70 ▶ 520
Swan-neck depth (mm)	86	123	174
Ø of the shank of the tool (mm)	Ø6 x 27	Ø 10 x 38	Ø 16 x 48
Table (mm)	100 x 100	160 x 160	220 x 220
Weight (kg)	11	30	100

TABLE OF VALUES OF MANUAL IMPACTOR PRESSES

	PM6	PM30	PM60	PM6	PM30	PM60	
A	Ø 30	Ø 40	Ø 70	K	135	170	230
B	500	650	1000	L	80	127	190
C	215	312	445	M	70	132	190
D	130	200	280	N	50	80	120
E	46	110	145	O	Ø 6,50	Ø 8,50	Ø 10,50
F	86	123	174	P	6	8	12
G	Ø6 x 27	Ø 10 x 38	Ø 16 x 48	Q	9	10	13
H	30 ▶ 250	40 ▶ 250	70 ▶ 520	R	6	8	9
I	100	160	220	S	90	160	230
J	50	70	90				



# Pneumatic Impactor Presses

from 600 to 6 000 kg



PM6 P



PM30 P

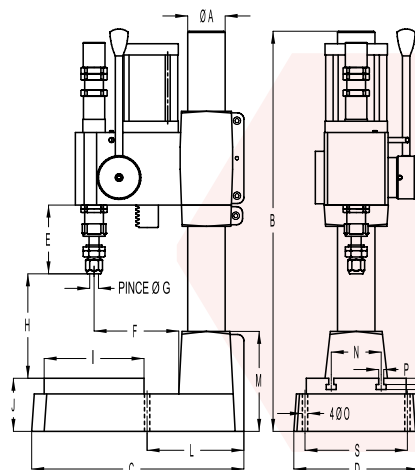


PM60 P

	PM6 P	PM30 P	PM60 P
Power (kg)	600	3 000	6 000
Max. downstroke (mm)	30	40	45
Impact stroke (mm)	0.2	0.2	0.2
Adjustable clear height (mm)	40 ▶ 300	60 ▶ 300	100 ▶ 300
Swan-neck depth (mm)	86	135	190
Ø of the shank of the tool (mm)	Ø6 x 27	Ø 10 x 38	Ø 16 x 48
Table (mm)	100 x 100	160 x 160	240 x 240
Weight (kg)	15	38	120

TABLE OF VALUES OF PNEUMATIC IMPACTOR PRESSES

	PM6 P	PM30 P	PM60 P	PM6 P	PM30 P	PM60 P	
A	Ø 40	Ø 60	Ø 100	K	110	170	250
B	500	640	830	L	117	155	228
C	242	340	503	M	90	150	210
D	140	200	300	N	50	80	120
E	46.5	110	145	O	Ø 6,50	Ø 8,50	Ø 10,50
F	86	135	190	P	6	8	12
G	Ø 6 x 27	Ø 10 x 38	Ø 16 x 48	Q	6	8	9
H	40 ▶ 300	60 ▶ 300	100 ▶ 300	R	9	10	13
I	100	160	240	S	110	164	250
J	60	85	110				



# Versions of Control for Impactor Presses



## Version 1 intended for integration by the customer

Only machine delivered, no controls, no equipment.



## Version 2 running condition with two hand controls

Version 1 +

- Two hand controls with push buttons.
- Protection of side and top tables.
- Distributor, check valve, control valve of protection cover and pneumatic fittings.
- Regulation and lubrication filter (lockable).



## Version 3 running condition with two hand or pedal controls

Version 2 +

- Pedal control for embedded tool work\*
- 2-position key selector



1 - BIMANUAL OPERATION  
2 - PEDAL OPERATION  
(only for embedded tool)



\*Definition: The embedded tools must be intrinsically safe. Their corresponding openings and safety distances must be in compliance with the standards in force or must not exceed 6 mm. Any risk of additional deformation outside the embedded tools must be avoided.

# Options

## COUNTER

5 digit counter with reset function.



## EXHAUST FILTER

Complete exhaust filter system for reduction in pollution and noise levels (75 dB instead of 85).



## ANVIL STAKES

Set of 2 anvil stakes for securing the tools in T slots.



## BASE SUPPORT AND LATERAL PANELS

Press base support and set of 2 350x250 mm side panels.

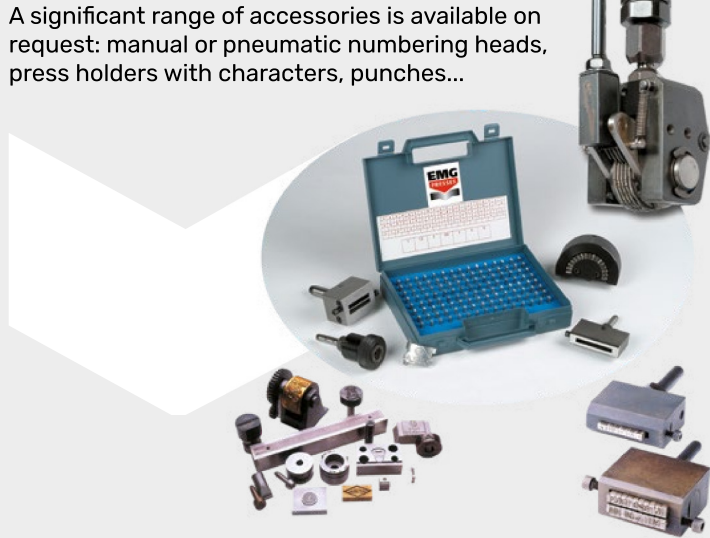
These accessories allow the design of a very ergonomic workstation:

- Legs passage 450 mm.
- Height of base support 730 mm (755 mm with anti-vibration supports).
- Lateral panels inclined for the 350 x 250 mm parts.



## MARKING ACCESSORIES

A significant range of accessories is available on request: manual or pneumatic numbering heads, press holders with characters, punches...



## Additional options ///

### ON REQUEST:

- Special bores, complete press head only.
- Special RAL paint.
- Special services on request (press modifications, small tooling and fitting).

See pages 52 to 55